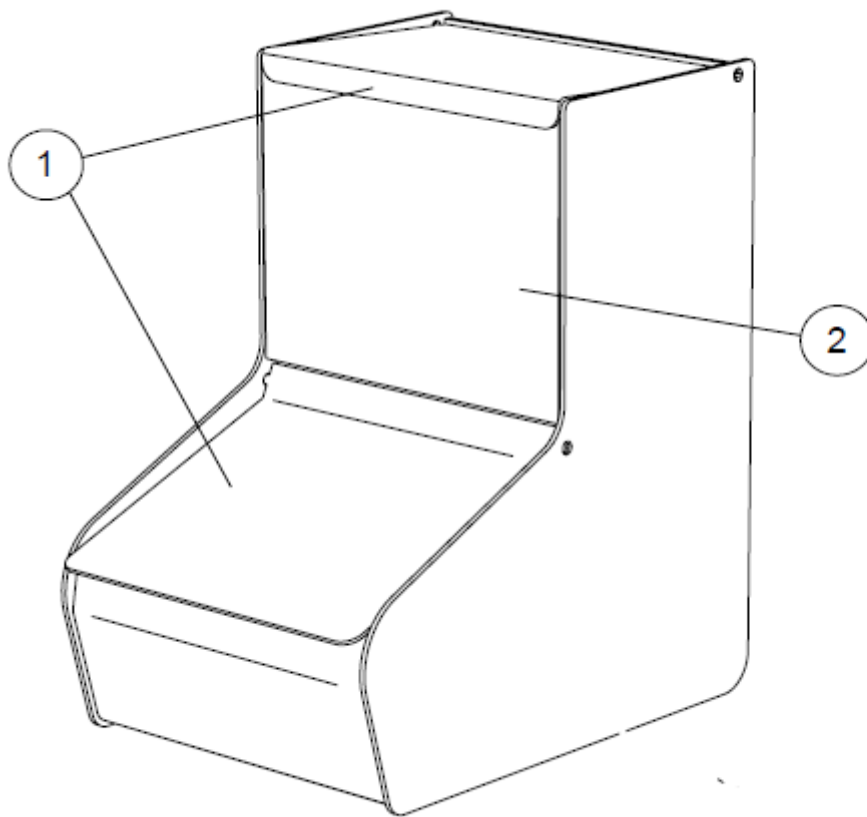


Maintenance Instructions for Maxi Standard Lid Bulk Merchandising Scoop Bin



1. Carefully bend the lid (1) out of the dispenser.
2. Remove the label holder. (2)
3. Hand wash in max 40 C. To avoid scratches, use only soft materials to clean. Do not use strong cleaning agents.

AKRIFORM
