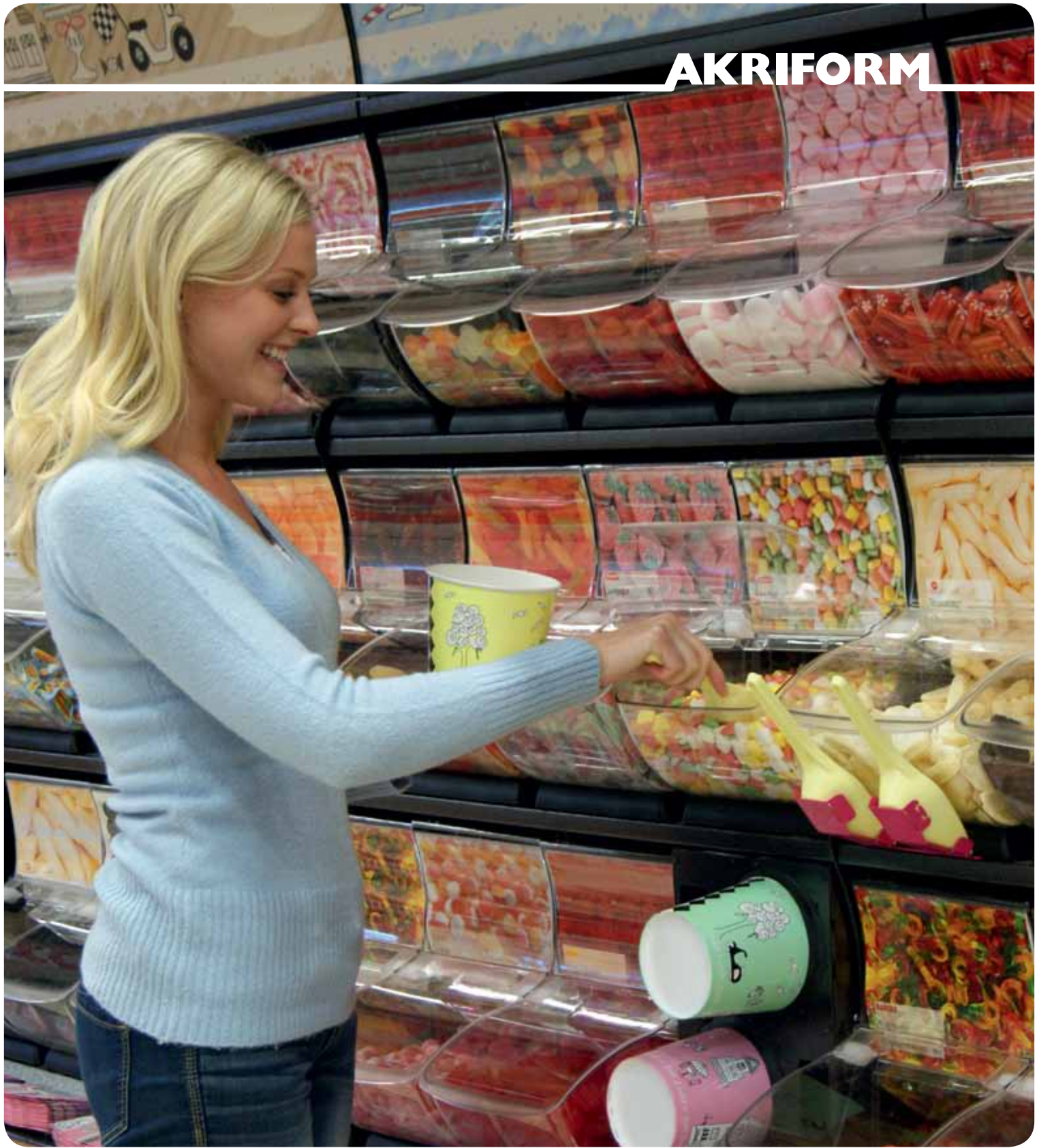


AKRIFORM



Quickbox

Merchandising Solution
for Pick & Mix



Quickbox

Easy to Use, Clean and Fill



Quickbox is the market's most innovative and complete solution. It combines flexibility with design and function. Quickbox is engineered to minimize retail operational cost and drive sales in the product category.

Increase Your Sales with Pick & Mix

- Market research indicates an increase in sales of 25–35% within the product category.
- Customers can mix the products themselves allowing the opportunity to pick their favorites and try new products.
- Minimizes the use of resources and energy required to produce cans, boxes, cartons and labels – reducing landfill waste.
- Reduces cost by eliminating product packaging and lowers transportation cost.
- More than half of the consumers who purchase Pick & Mix candy, also purchase packaged candy.
- Creates a friendly, fun, creative shopper retail experience for consumers. Increases impulse purchasing and creates customer loyalty.



Optimizes retail space – offers a large variety of products within a small area.



Excellent solution for nuts, grains, coffee, pet food and more.



New Innovative Solutions



New sugar tray and angled front – Collects all sugar, salt and crumbs. Keeps the bins fresh and clean. Angled front eliminates layers of build up.



Slide-out feature – Allows each individual bin to securely slide out from the display. The top lid stays open during refill. The bin can be individually refilled and requires no heavy lifting.



Compact design maximizes variety of products for your retail space. Comfortable picking access even from the top shelf.



Self-closing lid – Slow, quiet, self-closing lid makes it easy for the customer to shop and keeps the products fresh. Design extends the life of the product.



The tier design increases visibility of each row of bins. The tier design eliminates spillage behind or under the display. The spillage collector located on the bottom of the display allows for quick easy cleanup.



The contour design leaves no dead spots and keeps products from collecting in corners and creases. Rigged walls keep the bulk products from sticking to the bin's walls.



First-in-first-out product rotation for maximum product quality and easy maintenance. Dividers allow for easy integration of the bins to create smaller space for lower frequency bulk products.



Flexible options for scoop holder to fit your store requirements. Each scoop can be attached with a tether.

Fixtures Designed to Fit Your Retail Needs



Accessories such as shelving, sign holders, lighting, scoops, bag holders, corner bins, shelf fronts, peg hooks, storage drawers and ¼ corner sections provides great flexibility.



Multiple display solutions can be created with the ¼ corner section. Complement with corner bins, shelf fronts and peg hooks.



Customized solutions for height requirements. Example illustrates 3 tiered bin solution.



The display can be complemented with modules for cups and lids. Trays for bags are standard equipment.



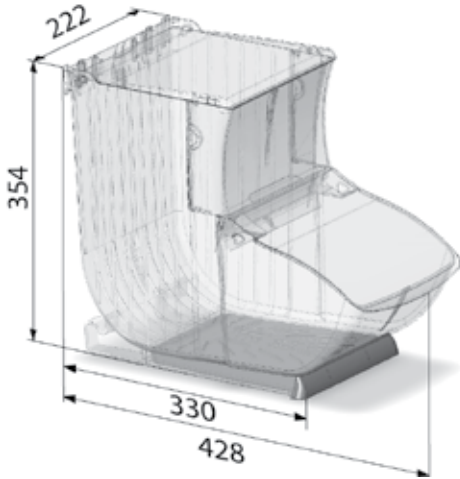
Individual transparent plastic pocket allows the retailer to easily change graphic profile on the top sign and light fixture.



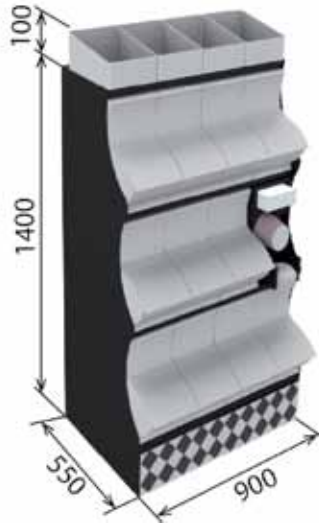
The spillage collector catches any spilled products, minimizing cleaning. The spillage collector pulls out to reveal an additional storage compartment. The powerful bumper protects against shopping carts and industrial cleaning machines.

Measurements

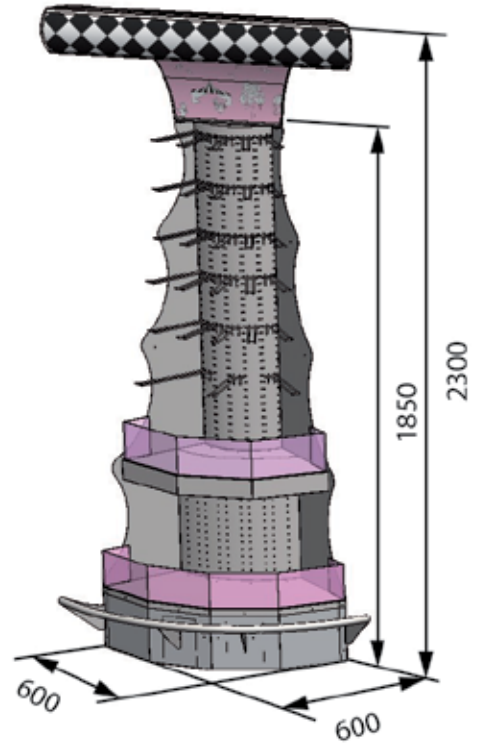
All measurements are in millimeter.



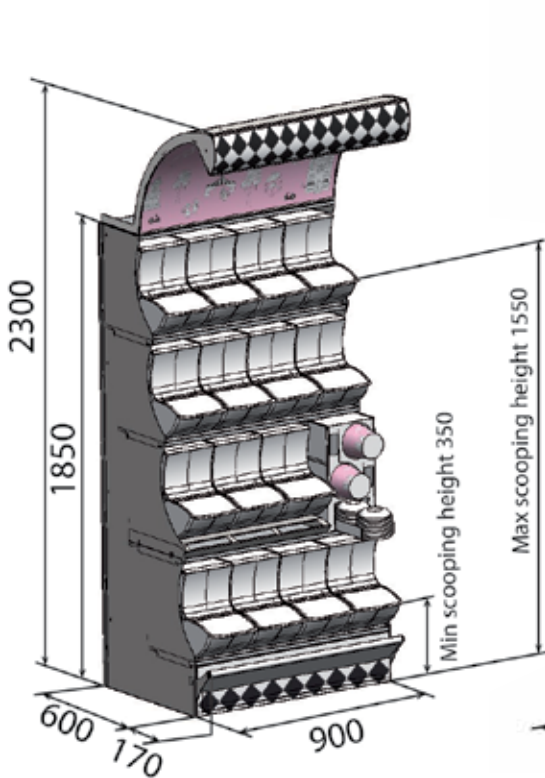
Quickbox bin, capacity 15,5l.



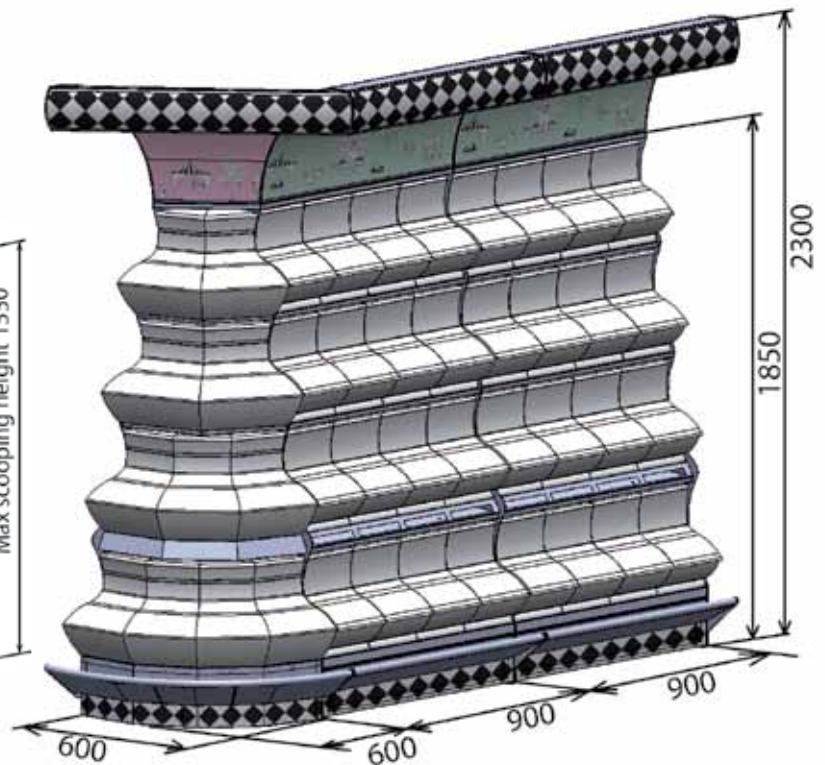
3 tiered section with top bins.



1/4 corner section with peg hooks and transparent shelf fronts



Standard 4 tier section with top sign and cup module.



1/4 corner section and standard section with top sign and cup module.

AKRIFORM

Akriform is the developer and manufacturer of the Quickbox solution. Akriform's goal is to offer complete solutions for Pick and Mix products to our worldwide clients through innovative technology. Akriform has produced Pick and Mix solutions for over 30 years. Akriform develops and produces new solutions with improvements for both the store and the end consumer. Many solutions are patented and protected.

Akriform is a leading manufacturer of Acrylic products. Its team of designers and engineers develop products and solutions for retail, medical, entertainment, governmental and industrial industries.

Akriform's headquarter and manufacturing plant is located in Stockholm, Sweden. They also have an affiliated sales office in Texas, USA through Engstrom Trading, LLC.

